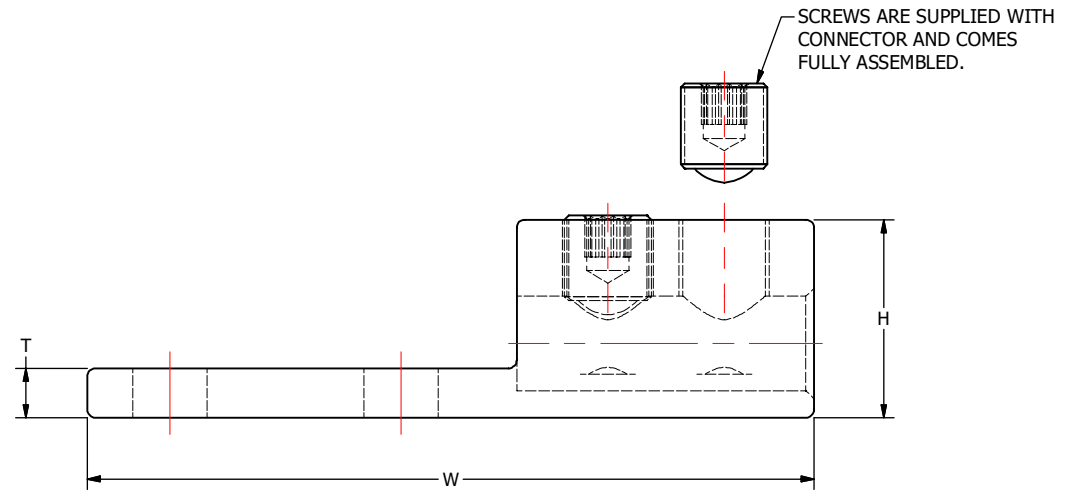
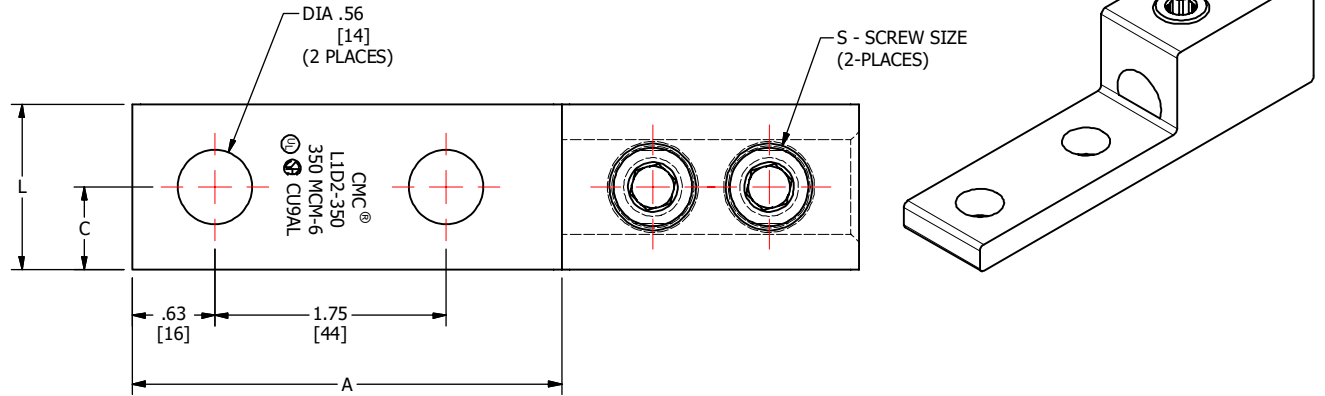


S.NO	CATALOG NUMBER	W	H	T	L	A	C	S	CONDUCTOR SIZE
1	L1D2-350	5.50 [140]	1.50 [38]	0.38 [10]	1.25 [32]	3.25 [83]	0.63 [16]	11/16-16	350 MCM-6
2	L1D2-350I	5.50 [140]	1.50 [38]	0.38 [10]	1.25 [32]	3.25 [83]	0.63 [16]	11/16-16	350 MCM-6
3	L1D2-500	5.56 [141]	1.50 [38]	0.34 [9]	1.25 [32]	3.44 [87]	0.63 [16]	13/16-16	500 KCMIL-10
4	L1D2-500I	5.56 [141]	1.50 [38]	0.34 [9]	1.25 [32]	3.44 [87]	0.63 [16]	13/16-16	500 KCMIL-10
5	L1D2-750	5.94 [151]	1.63 [41]	0.44 [11]	1.50 [38]	3.44 [87]	.75 [19]	13/16-16	750 KCMIL-2
6	L1D2-750I	5.94 [151]	1.63 [41]	0.44 [11]	1.50 [38]	3.44 [87]	.75 [19]	13/16-16	750 KCMIL-2
7	L1D2-1000I	6.19 [157]	1.88 [48]	0.56 [14]	1.56 [40]	3.44 [87]	0.78 [20]	15/16-16	1000 KCMIL-350



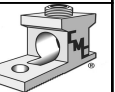
MATERIAL: ALUMINUM
FINISH: CLEAR PLATE
DUAL-RATED (ALUMINUM OR COPPER) CONDUCTORS

				TO ORDER CMC PRODUCTS CALL 1-513-860-4455		DRAWN BY: TS 09-18-19		NAME OF PART: TRANSFORMER CONNECTOR ASSEMBLY		CAT. NO.: SEE TABLE	
				FOR PRODUCT INFO: http://www.cmcclugs.com		CHECKED BY:		DWG NO: C58700097-S (CHARTED)		B	
A NEW DRAWING CREATED				09-18-19		TS		DRAWING NOT TO SCALE		SHEET NO: 1 OF 1	
REV.	DESCRIPTION	ECN	DATE	INIT.							

THIS INFORMATION IS PROPRIETARY TO CONNECTOR MFG. CO. AND IS NOT TO BE DISCLOSED OUTSIDE OF CONNECTOR MFG. CO. WITHOUT A CONFIDENTIALITY AGREEMENT



CONNECTOR MANUFACTURING CO.



HAMILTON, OHIO